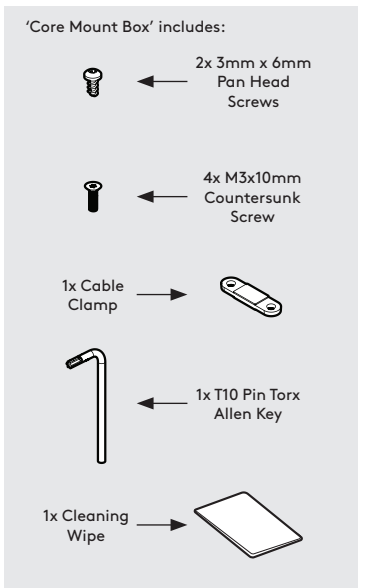
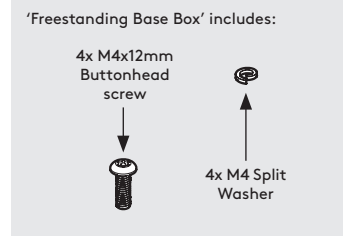
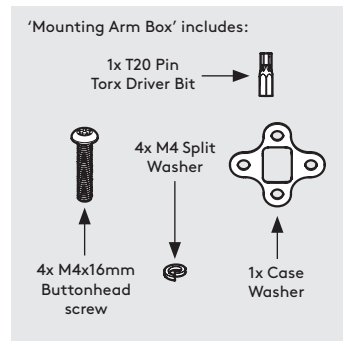
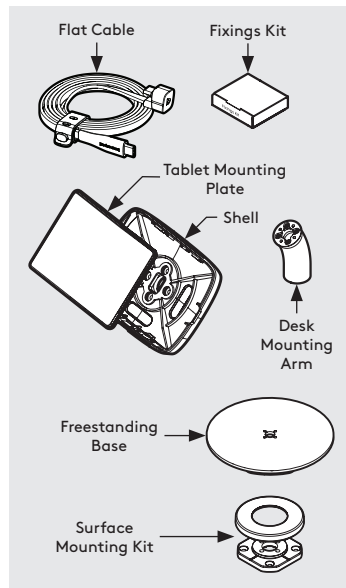


## Core Counter

### Assembly Instructions

#### Tools Required:

- Socket Driver



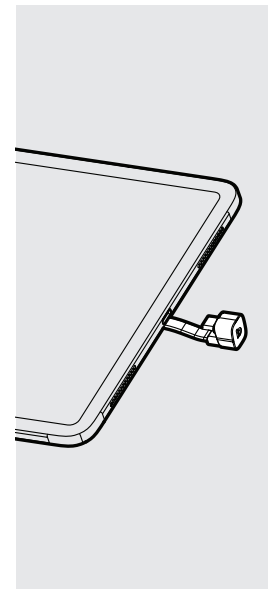
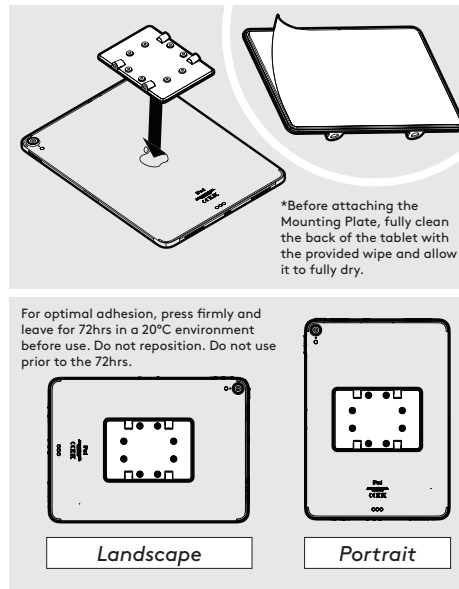
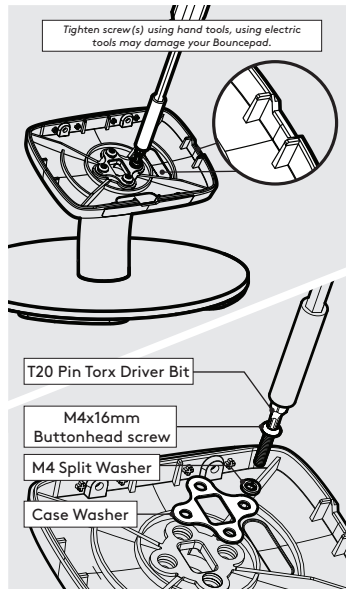
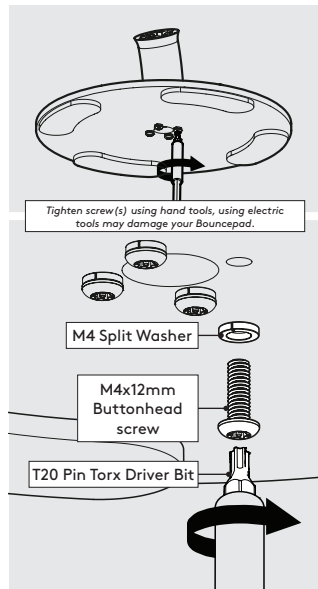
Sheet Code: BP-IM-086\_REV0

Release Date: 14/08/2024

Copyright 2024 Spotspot Ltd. (T/A Bouncepad) all rights reserved. Confidential, no part of this publication may be reproduced or transmitted in any form without the written permission of the copyright holder.



\* Due to the modular nature of our product range you may receive additional fixings in the fixings kit

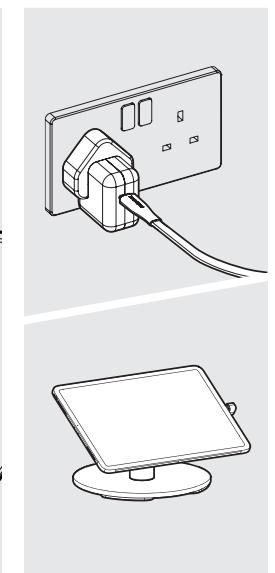
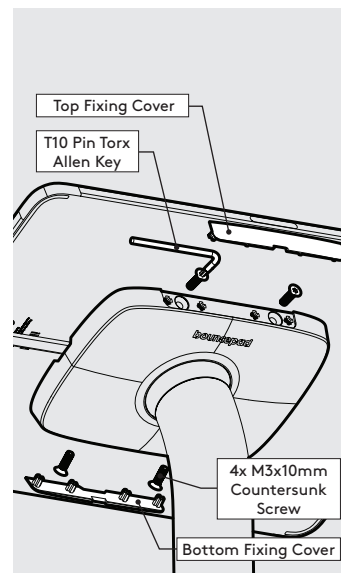
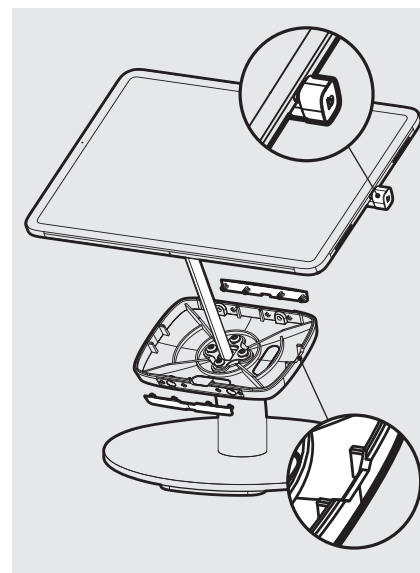
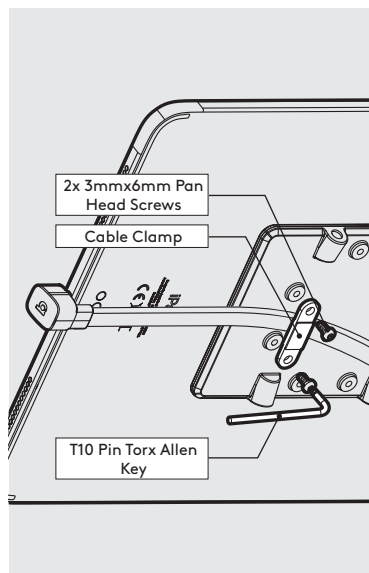


**1** Locate & secure the Desk Mounting Arm to the Freestanding Base.

**2** Locate & attach the Shell to the Desk in the correct orientation.

**3** Remove the Mounting Plate adhesive backing. Attach level & centrally to the Tablet back as shown.

**4** Attach the Flat Cable to the Tablet with the U-Bend Head.



**5** Secure the Flat Cable to the Mounting Plate with the Cable Clamp as shown.

**6** Remove the Fixing Covers. Feed the Flat Cable into the assembly & locate the Tablet in the chosen orientation.

**7** Secure the Tablet to the Shell & attach the Fixing Covers as shown.

**8** Connect tablet to power & installation is now complete.