

## Core Wallmount Assembly Instructions

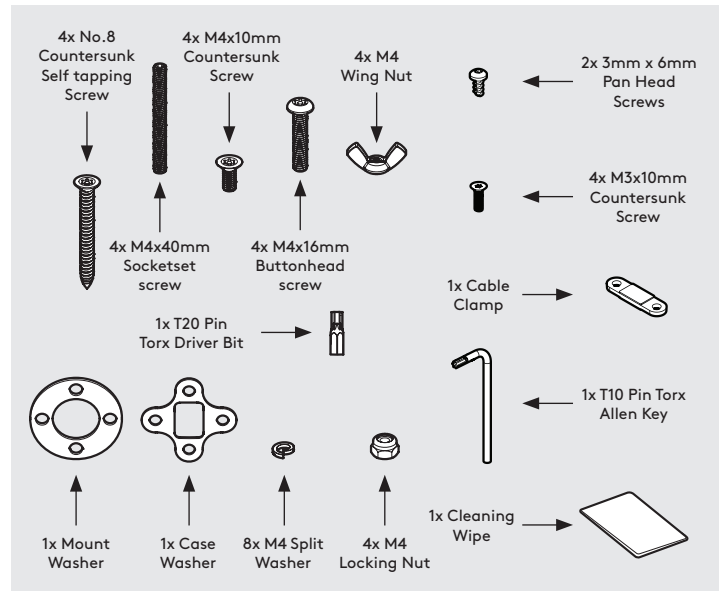
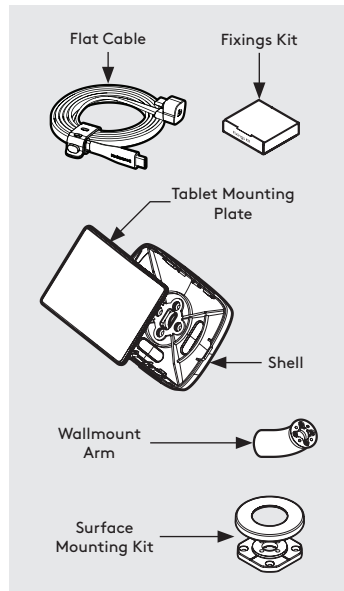
### Tools Required:

- Pencil
- Electric Drill
- 7mm Spanner *\*or adjustable spanner*
- 5.0mm Drillbit *\*if fixing from below*
- 2.5mm Drillbit *\*if fixing from above*
- 16mm Holesaw *\*if routing the tablet cable through your mounting surface*
- Socket Driver

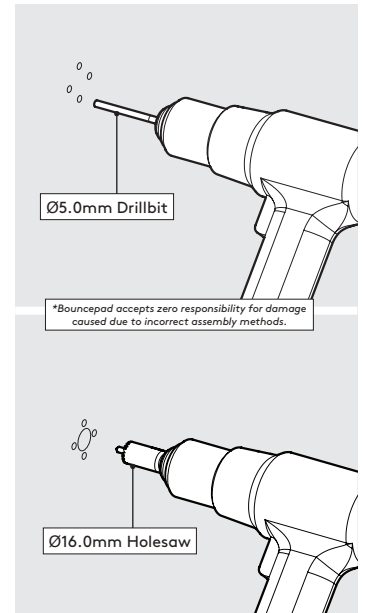
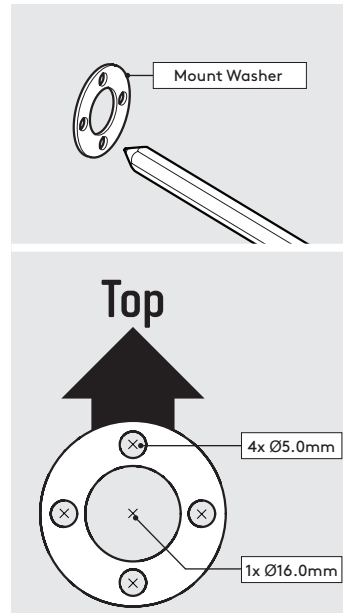
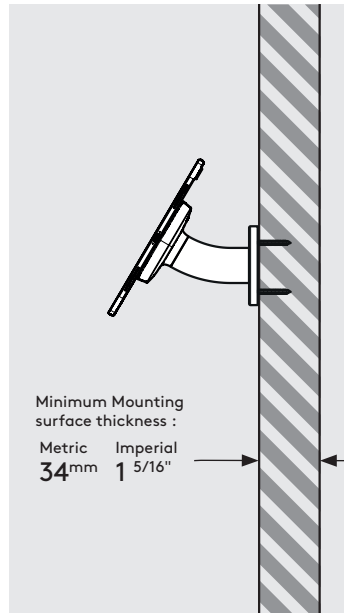
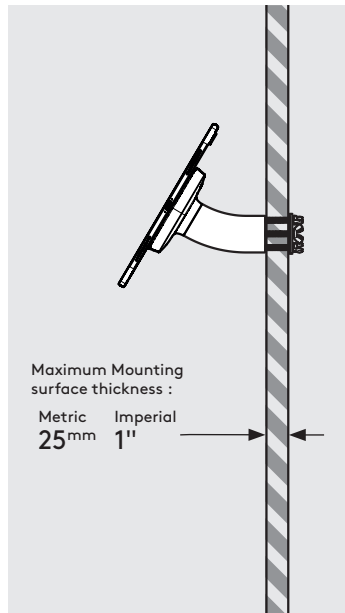
Sheet Code: BP-IM-083\_REVO

Release Date: 13/08/2024

Copyright 2024 Spotspot Ltd. (T/A Bouncepad) all rights reserved. Confidential, no part of this publication may be reproduced or transmitted in any form without the written permission of the copyright holder.



\* Due to the modular nature of our product range you may receive additional fixings in the fixings kit

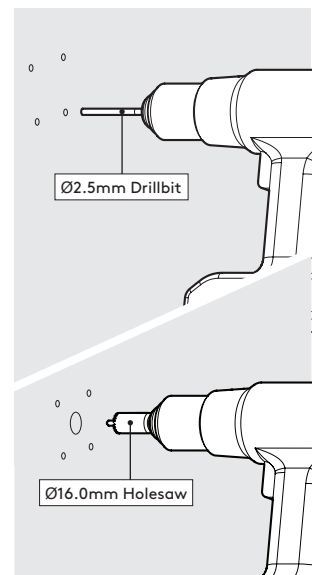
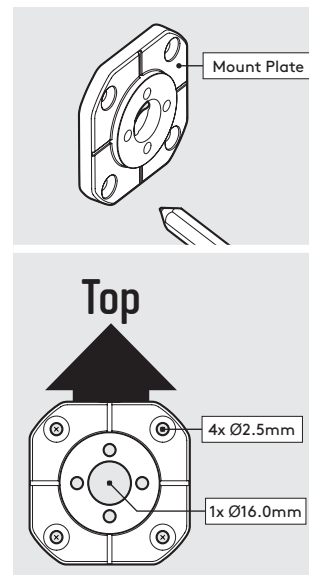
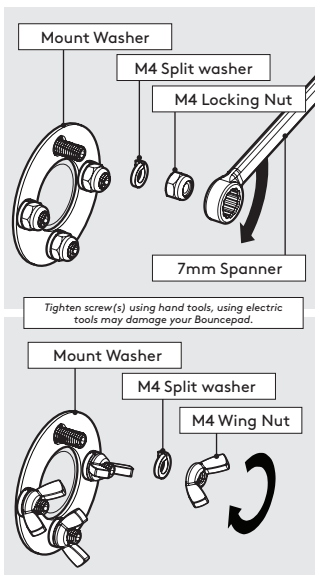
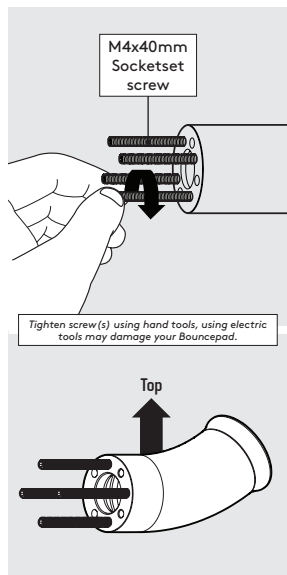


**A** Follow steps A if "Fixing from below".

**B** Follow steps B if "Fixing from Above".

**A1** Using the Mount washer, mark the drill hole locations as shown.

**A2** Drill each hole - using the specified drill size.



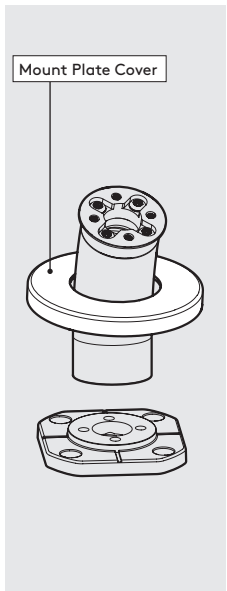
**A3** Locate & screw the Socket screws into the Wallmount as shown.

**A4** Secure the arm to the surface. Locking Nuts offer higher security.

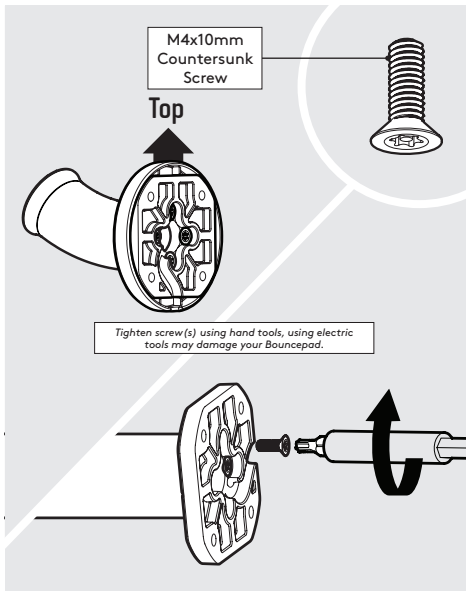
**A5** Go to step 1.

**B1** Using the Mount Plate, mark the drill hole locations as shown.

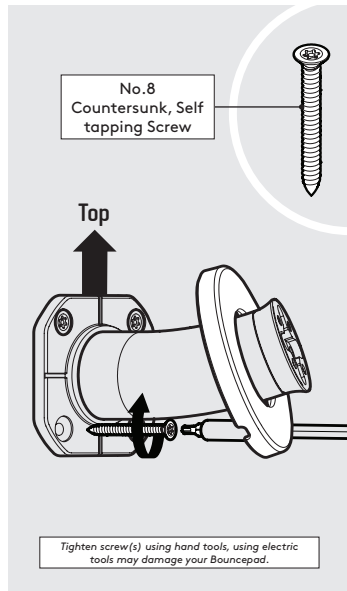
**B2** Drill each hole - using the specified drill sizes.



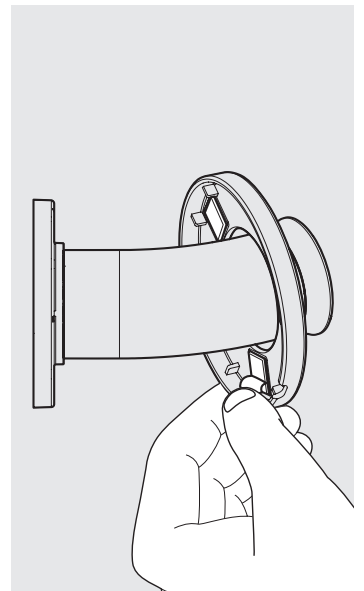
**B3** Locate the Cover to the Wallmount.



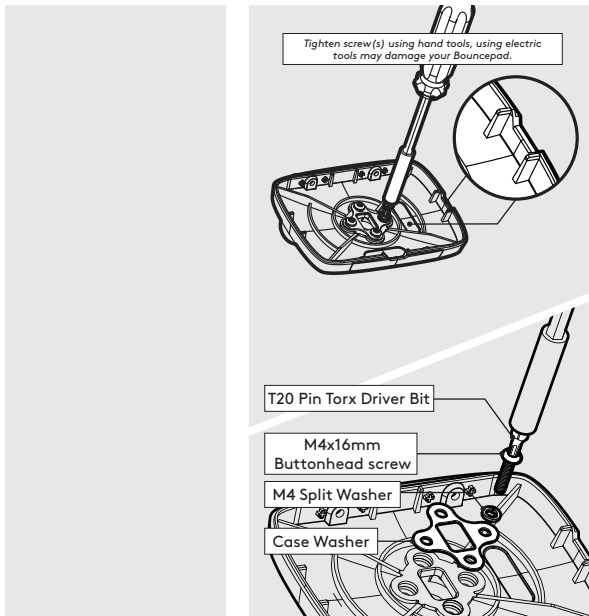
**B4** Join the Wallmount & Mount Plate in the orientation shown.



**B5** Secure the Wallmount to the surface with the 4x countersunk fixings.

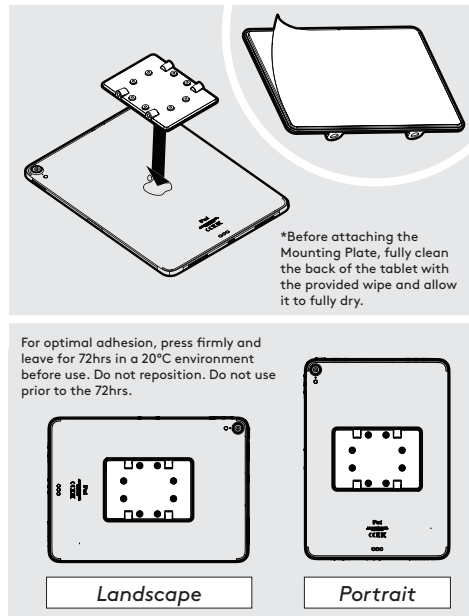


**B6** Adhere the Mount Cover onto the Mount Plate with the adhesive tabs.

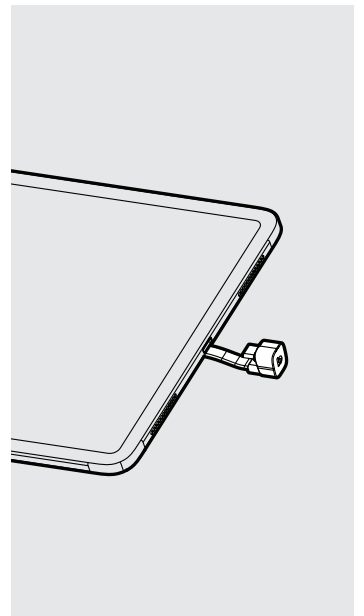


**B7** Go to step 1.

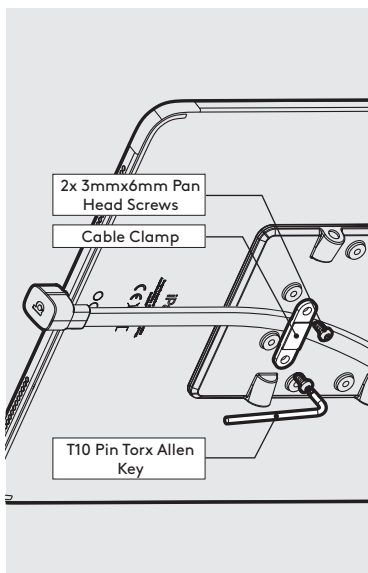
**1** Locate & attach the Shell to the Wallmount in the correct orientation.



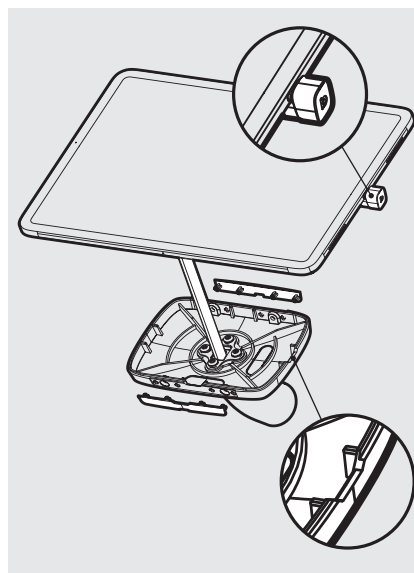
**2** Remove the Mounting Plate adhesive backing. Attach level & centrally to the Tablet back as shown.



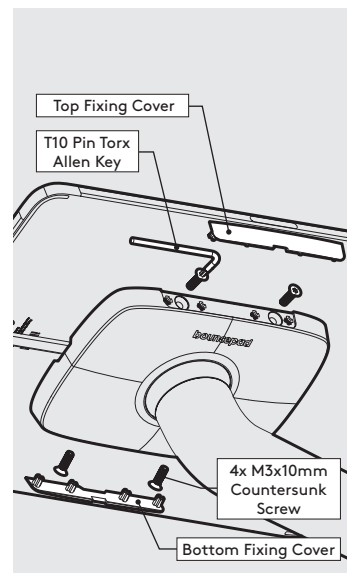
**3** Attach the Flat Cable to the Tablet with the U-Bend Head.



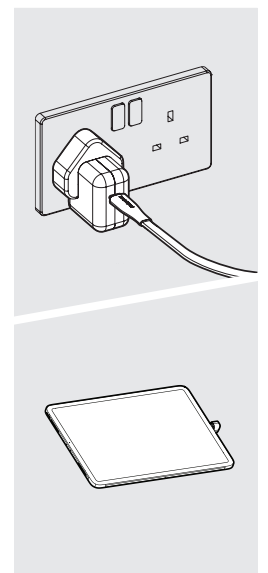
**4** Secure the Flat Cable to the Mounting Plate with the Cable Clamp as shown.



**5** Remove the Fixing Covers. Feed the Flat Cable into the assembly & locate the Tablet in the chosen orientation.



**6** Secure the Tablet to the Shell & attach the Fixing Covers as shown.



**7** Connect tablet to power & installation is now complete.